

Do-Not-Disturb/Make-Up-Room/Door Chime Kit

Installation

Parts Included

- 12 VDC Power Supply (1)
- Room DND/MUR Annunciator Plate (1)
- Hallway Annunciator Plate (1)
- 18-inch 6-Pin Connector (1)
- 8-inch 3-Pin Pigtail (1)
- 8-inch 4-Pin Pigtail (1)

Dimensions

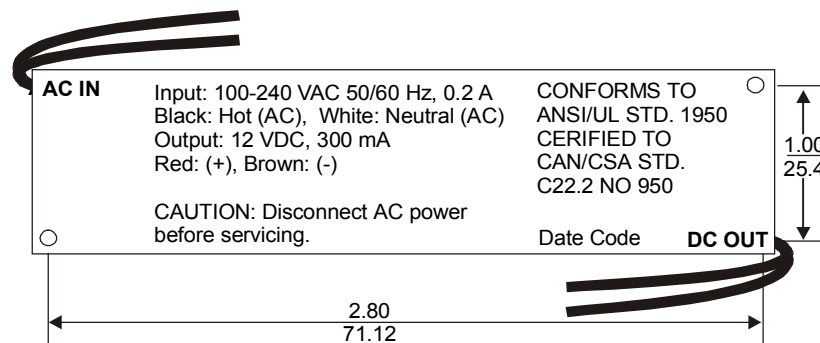


Figure 1: 12 VDC Power Supply Dimensions, in. (mm)

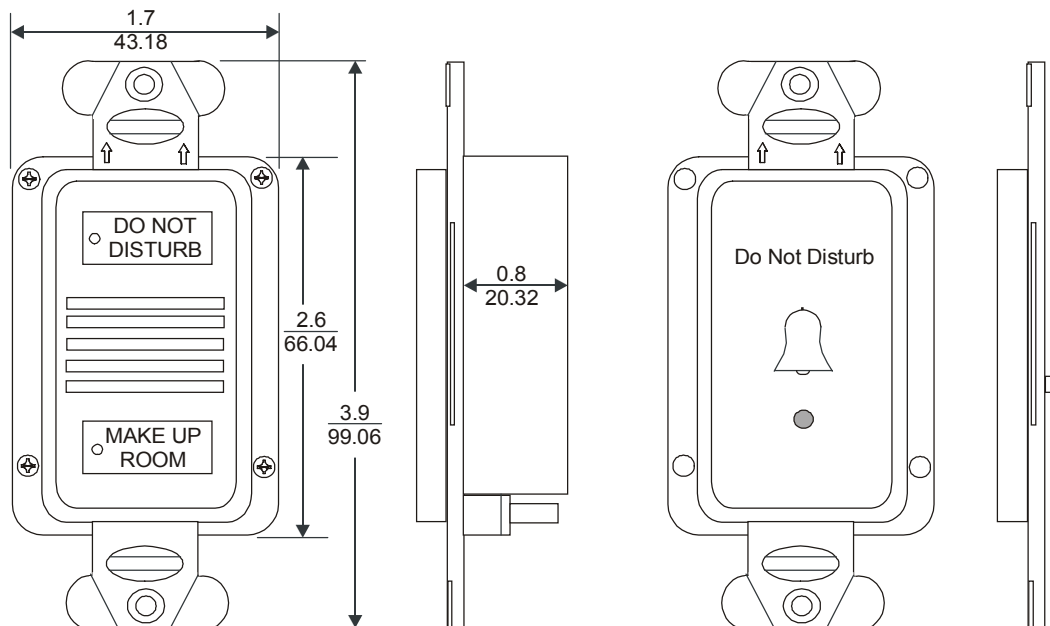


Figure 2: Do-Not-Disturb/Make-Up-Room/Door Chime Dimensions, in. (mm)

Mounting



CAUTION: Risk of Shock.

Disconnect the power supply to prevent electrical shock or possible damage to the equipment.

To mount the Do-Not-Disturb (DND)/Make-Up-Room (MUR)/Door Chime Kit:

1. When used, mount the 12 VDC power supply in a single-gang electrical box, above the drop ceiling, or in any location that allows convenient access to AC power.
2. Mount the hallway annunciator plate in a single-gang electrical box or wall caddy (not supplied) on the latch side of the door outside the guestroom.
3. Mount the DND and MUR annunciator plate in a single-gang electrical box (not supplied) or in a double-gang box with the light switch inside the room.

Wiring

IMPORTANT: Make all wiring connections in accordance with the National Electrical Code (NEC) and all local regulations.

Refer to Figure 3 to wire the DND/MUR/Door Chime Kit.

1. When installing an optional external Passive Infrared (PIR) sensor, set jumper J1 on the DND/MUR according to Table 1 to select room unoccupied exit delay.
2. Reconnect the power supply.

Table 1: J1 Jumper Settings

J1 Position	Exit Delay
1-2	No Delay
2-3	10 Minutes
Out	30 Minutes

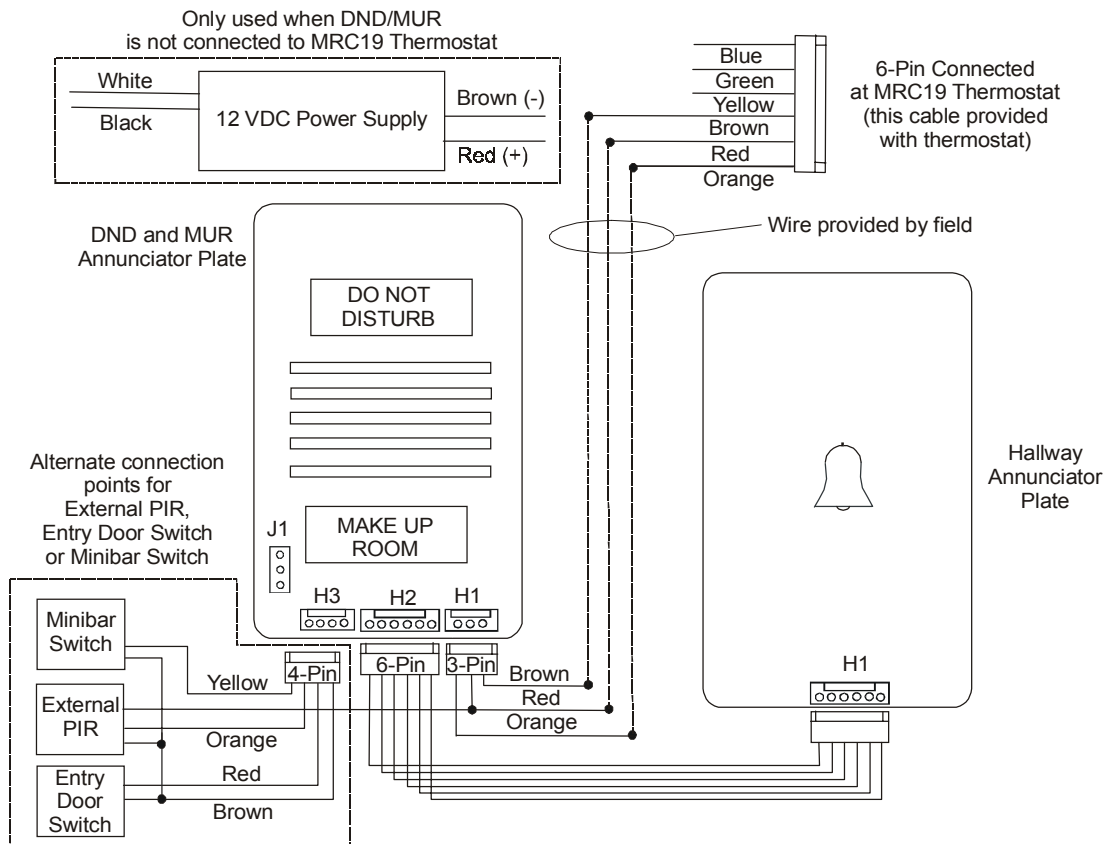


Figure 3: DND/MUR/Door Chime Wiring Diagram

JOHNSON CONTROLS

Controls Group
507 E. Michigan Street
P.O. Box 423
Milwaukee, WI 53201

Printed in U.S.A.
www.johnsoncontrols.com