

T-2110 Digital Thermometer Air or Liquids

The T-2110 Digital Thermometers are designed to accurately provide continuous temperature indication. An insertion model is available for indicating temperatures in air ducts; an immersion model is available for indicating temperatures in tanks, process piping and other pipelines. All models have a hinge assembly which allows adjustment to any angle for maximum scale readability.

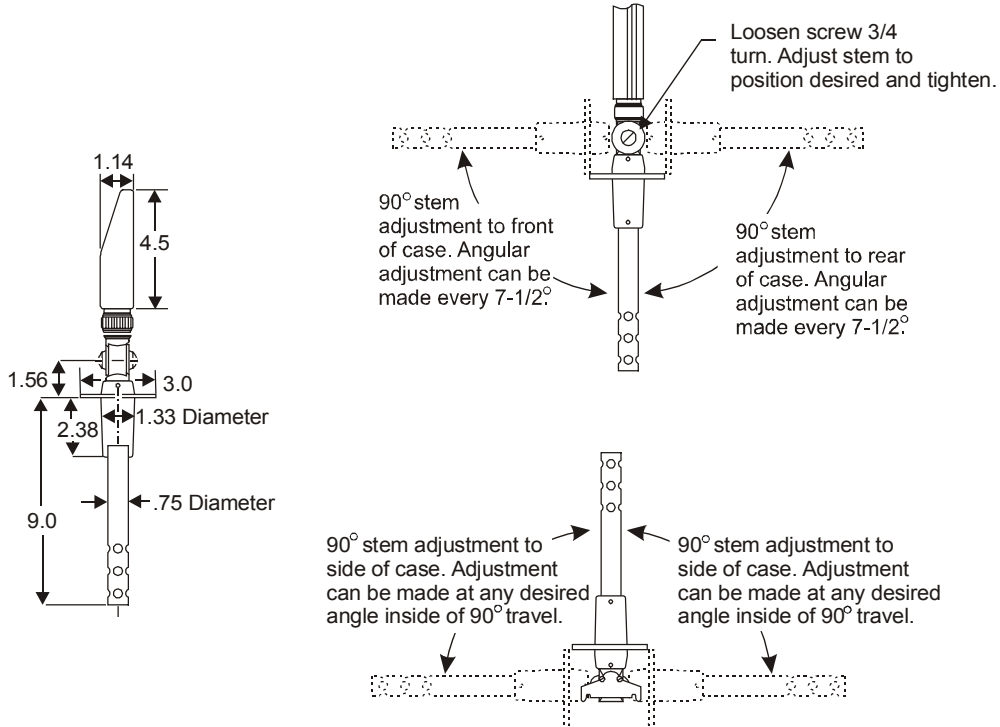


Figure 1: T-2110 Digital Thermometer Air or Liquids

| Features and Benefits | |
|--|---|
| <input type="checkbox"/> Mercury-Free | Eliminates environmental concerns |
| <input type="checkbox"/> Direct Replacement for Older T-2110 Models | Eliminates need to change mounting hubs or wells |
| <input type="checkbox"/> Self-Powered | Eliminates batteries replacement and wiring and flashlight provides sufficient light source to obtain a quick, accurate reading |
| <input type="checkbox"/> -40 to 300° F Range | Replaces several older mercury-in-glass models with one model |

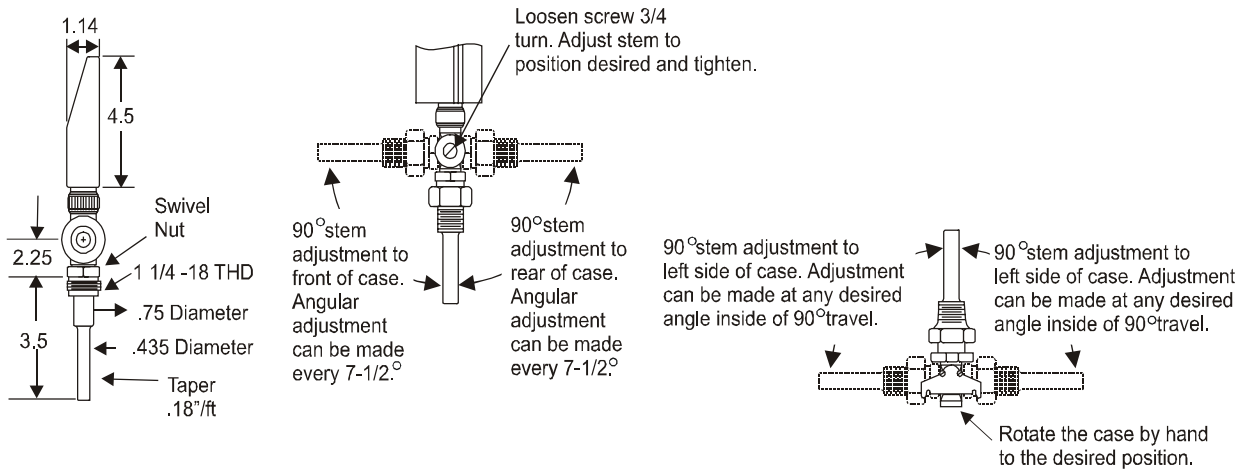
Dimensions and Mounting Details

These variable angle digital thermometers are direct replacements for previous mercury-in-glass types in new or existing installations. The thermometers are self powered, mercury free, and switchable to display either Fahrenheit or Celsius temperatures.



t2110_1

Figure 2: Insertion Thermometer



T2110_2

Figure 3: Immersion Thermometer

Models

Table 1: T-2110-20x Models

| Model | Description |
|---------------------|--|
| Thermometers | |
| T-2110-201 | Insertion thermometer used in air ducts |
| T-2110-205 | Immersion thermometer used in tanks and pipe lines. Supplied without separable brass well. |
| Accessories | |
| T-2110-100 | Brass well. Supplied with insulgrease. |

Technical Specifications

| | |
|-------------------------------------|--|
| Product | T-2110-20x Digital Thermometers |
| Range | -40 to 300°F (-40 to 150°C) |
| Resolution | 1/10° between -19.9/199.9°F (-28 to 93°C) |
| Accuracy | 1% of reading or 1° whichever is greater |
| Ambient Operating Conditions | -30 to 140°F; (-35 to 60°C) 100% RH |
| Update | 10 seconds |
| Lux Rating | 10 lux (one-foot candle) minimum for operation |
| Materials | Case High Impact ABS Sensor Glass passivated thermistor |
| Shipping Weight | 2 lb |

The performance specifications are nominal and conform to acceptable industry standards. For application at conditions beyond these specifications, consult the local Johnson Controls office. Johnson Controls, Inc. shall not be liable for damages resulting from misapplication or misuse of its products.



Controls Group
507 E. Michigan Street
P.O. Box 423
Milwaukee, WI 53201

Published in U.S.A.
www.johnsoncontrols.com