

HH-6705 Series

# TrueRH™ Duct Humidistat



HH-6705-9N0GP Duct Humidistat

## Description

The HH-6705 Series Duct Humidistat is typically mounted downstream from a humidifier, and turns the humidifier off (contact opens) when the setpoint is reached.

Setpoint is adjustable from 30 to 90% Relative Humidity (RH). To reduce equipment cycling, the HH-6705 Series turns the humidifier back on (contact closes) when the humidity in the duct falls 5% below the setpoint.

## Features

- TrueRH™ circuitry and calibration techniques for which patent is pending
- All-Polymer™ humidity sensor with patented sensing element provides accurate and reliable humidity sensing with improved resistance to chemical corrosion
- 30 to 90% RH adjustable setpoint covers most application requirements, including humidification and dehumidification

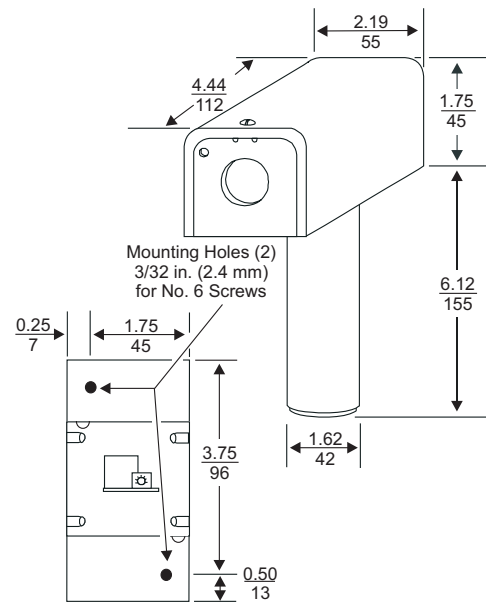
- 5% fixed differential reduces humidification equipment cycling
- plastic duct probe improves thermal performance
- quick-mount, 2-screw installation reduces installation time and simplifies retrofits

## To Order

Specify code number **HH-6705-9N0GP**. (There are no accessories available.)

## Specifications

HH-6705 Series TrueRH™ Duct Humidistat	
<b>Power Requirements</b>	20 to 30 VDC at 33 mA or 20 to 30 VAC, 50/60 Hz at 45 mA (1.35 VA maximum), Class 2
<b>Output</b>	Single-Pole, Single-Throw (SPST), normally open relay contact Opens at setpoint on increasing RH Closes at 5% RH below setpoint on decreasing RH
<b>Relay Contact Rating</b>	<b>Maximum</b> 4 ampere at 24 VAC; pilot duty 42.4 VA at 24 VAC, Class 2 <b>Minimum</b> 100 mA at 5 VDC
<b>Humidity</b>	<b>Element</b> All-Polymer
	<b>Setpoint</b> Adjustable from 30 to 90% RH
	<b>Sensing Range</b> 0 to 100% RH, non-condensing
	<b>Differential</b> Fixed 5% RH
<b>Ambient Operating Conditions</b>	32 to 122°F (0 to 50°C) 0 to 100% RH, non-condensing; 86°F (30°C) maximum dew point
<b>Survival Operating Conditions</b>	-22 to 140°F (-30 to 60°C) 0 to 100% RH, non-condensing; 86°F (30°C) maximum dew point
<b>Ambient Storage Conditions</b>	-40 to 176°F (-40 to 80°C) 0 to 100% RH, non-condensing; 86°F (30°C) maximum dew point
<b>Materials</b>	Metal cover and housing with polymeric duct probe
<b>Dimensions</b>	<b>Overall (H x W x D):</b> 4.44 x 2.19 x 7.87 in. (113 x 56 x 200 mm)
	<b>Probe (D x L):</b> 1.62 x 6.12 in. (41 x 155 mm)
<b>Shipping Weight</b>	1.5 lb (0.7 kg)



HHH-6705 Dimensions, in. (mm)