

F262 Series Airflow Switch

Product Bulletin

Code No. LIT-12011988
Issued June 2018

Refer to the [QuickLIT website](#) for the most up-to-date version of this document.

Introduction

The F262 Series Airflow Switch detects airflow or the absence of airflow by responding only to the velocity of air movement within a duct. The single-pole, double-throw (SPDT) switch can be wired to open one circuit and close a second circuit for either signaling or interlock purposes.

Airflow failure during the normal operation of air handling systems may cause overheating, coil icing, or other conditions that may be detrimental to the equipment.



Figure 1: F262 Airflow Switch

Table 1: Features and Benefits

Features	Benefits
Type 3R (NEMA) Polycarbonate Enclosure	Allows use in indoor applications and provides dust protection; Suitable for use in other environmental air space (plenums) in accordance with Section 300.22(C) of the National Electrical Code.
Dependable Dust-Protected SPDT Snap-Acting PENNswitch	Detects the presence or absence of airflow.
Large Wiring Space	Makes wiring convenient and easily accessible.
Easily Accessible Range Adjustment Screw	Allows easy field adjustment.



Application

Typical applications include:

- Make-up air systems
- Air cooling or heating processes
- Exhaust systems

The airflow switch has a Type 3R (NEMA) enclosure with an integral mounting plate. A mounting plate gasket is supplied with each airflow switch.

The SPDT PENNswitch has color coded terminals for ease of wiring. The airflow switch is factory set at approximately the minimum flow rate. (See Table 2.) It must not be set any lower than the factory setting, or the airflow switch may fail to return to a no-flow (off) condition. To maintain a higher flow rate setting, turn the range adjusting screw clockwise.

Mount the F262 Series Airflow Switch on the top, side, or bottom of a duct in a horizontal position whenever possible. If vertical duct mounting is required and the flow is downward, the airflow setting must be readjusted. If the flow is upward, refer to the Flow Rate Table for the minimum flow required to actuate the control.

The control is not designed for use where it is exposed to outside weather.

Airflow Velocity

Airflow velocities required to activate the switch for any given duct size (horizontal or vertical upward flow) are shown in the Flow Rate Table, based on a standard air density of 0.075 lb/ft³ (1.2 kg/m³).

Table 2: Flow Rate Table

Paddle Width	Switch Actuation on Flow	Minimum Air Velocity Required to Activate Control, FPM (m/second)			
		Horizontal Flow		Vertical Flow	
		50 in. ² (323 cm ²) or larger Duct Area	Less Than 50 in. ² (323 cm ²) Duct Area	50 in. ² (323 cm ²) or larger Duct Area	Less Than 50 in. ² (323 cm ²) Duct Area
2-1/8 in.	Increase (R to Y Closes)	625 (3.2)	575 (2.9)	950 (4.8)	750 (3.8)
	Decrease (R to B Closes)	325 (1.7)	220 (1.1)	850 (4.3)	575 (2.9)
3-1/8 in.	Increase (R to Y Closes)	500 (2.5)	350 (1.8)	750 (3.8)	500 (2.5)
	Decrease (R to B Closes)	250 (1.3)	100 (0.5)	650 (3.3)	350 (1.8)

Dimensions

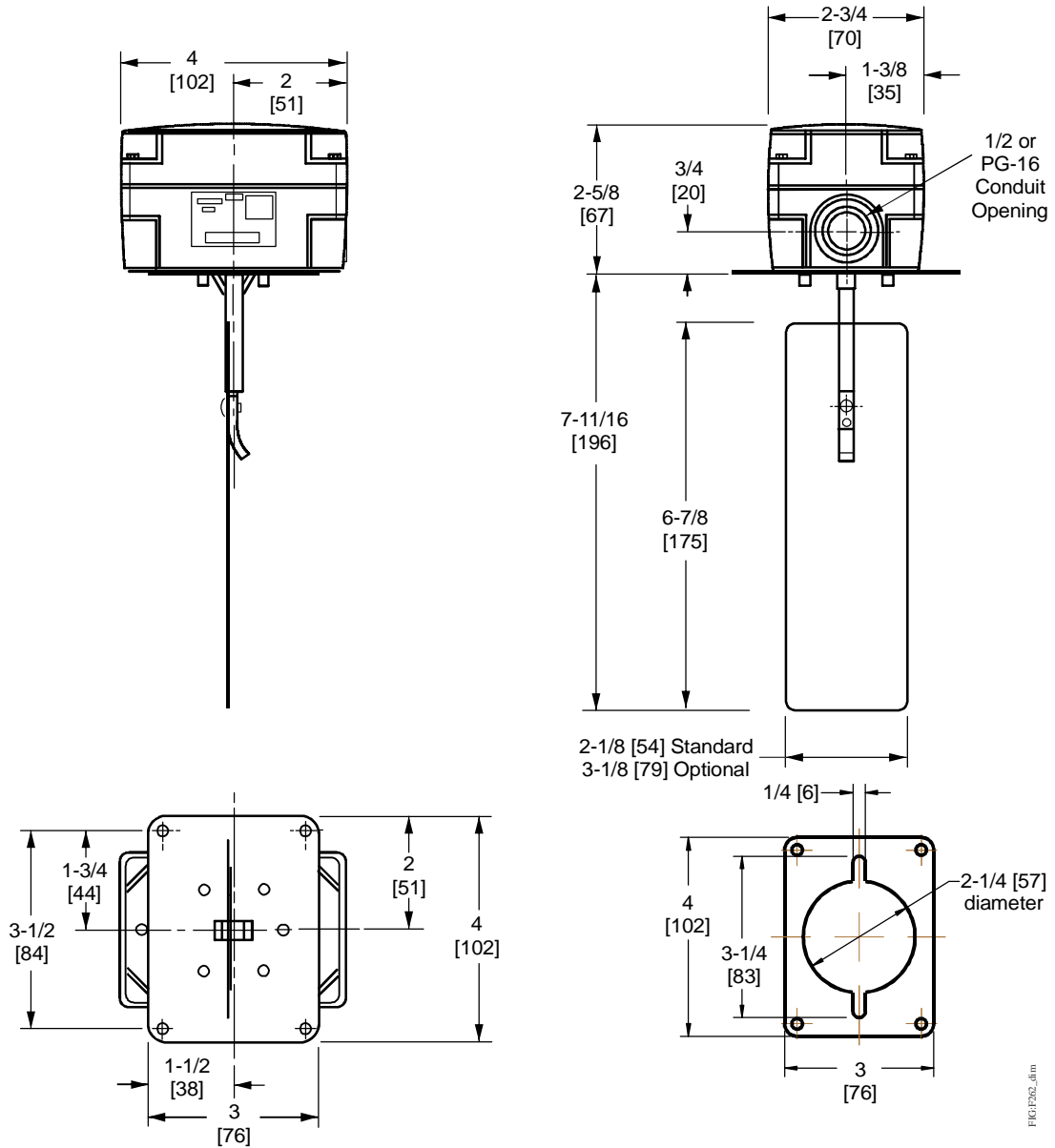


Figure 2: F262 Series Airflow Switch with Type 3R (NEMA) Enclosure Dimensions, in. [mm]

Ordering Information

Cross Reference

Table 3: F62 to F262 Models Cross Reference

F62 Series Model	F262 Series Model
F62AA-8C	F262KDH-01C
F62AA-9C	

Selection Tables

Table 4: F262 Series Airflow Switch

Product Code Number	Description
F262KDH-01C	Airflow switch with a 2-1/8 in. wide x 6-7/8 in. long (54 mm x 175 mm) paddle installed and a 3-1/8 in. wide x 6-7/8 in. long (79 mm x 175 mm) paddle supplied with the control

Table 5: Replacement Paddle Kits for F262 Series Airflow Switch

Product Code Number	Description
PLT112-1R	2-1/8 in. wide x 6-7/8 in. long (54 mm x 175 mm) paddle
PLT112-2R	3-1/8 in. wide x 6-7/8 in. long (79 mm x 175 mm) paddle

Repair Information

Do not make field repairs, except for replacement of the flow paddle. For a replacement control or paddle kit, contact the nearest Johnson Controls/PENN distributor. For more information, contact Johnson Controls/PENN application engineering at 1-800-275-5676 or 1-414-524-5535.

Technical Specifications


Table 6: F262 Series Airflow Switch Electrical Ratings

Volts 50/60 Hz	UL60730/UL1059				EN60730	
	24	120	208	240	24	230
Horsepower	–	1	1	1	–	–
Full Load Amperes	–	16	10	10	–	8
Locked Rotor Amperes	–	96	60	60	–	48
Resistive Amperes	16	16	10	10	16	16
Pilot Duty VA	125	720	720	720	77	720

Table 7: UL Conformity Declaration Information

Information	Description
Purpose of Control	F262 Series Airflow Switch
Construction of Control	Electronic independently mounted control
Number of Cycles	100,000 cycles
Method of Mounting Control	Mounting to sensed media vessel/orientation
Type 1 or Type 2 Action	Type 1.C (Microinterruption)
External Pollution Situation	Pollution degree 4
Internal Pollution Situation	Pollution degree 2
Rated Impulse Voltage	4,000 VAC
Ball Pressure Temperature	Enclosure: 266°F (130°C) Switch Component: 252°F (122°C)
Control Adjustment Instruction	-
Field Wiring Rating	Wire/Cord Temperature Ratings: <ul style="list-style-type: none"> • 140°F (60°C) only permitted when ambient air and media are less than 113°F (45°C) • 167°F (75°C) only permitted when ambient air and media are less than 140°F (60°C) • 194°F (90°C) only permitted when ambient air is less than 140°F (60°C) and media is less than 167°F (75°C) • 302°F (150°C) permitted when ambient air is less than 140°F (60°C) and media is less than 249°F (121°C)

F262 Series Airflow Switch

Switch	SPDT
Enclosure	UL: Type 3R (NEMA) CE: IP43
Wiring Connections	Three color-coded screw terminals and one ground terminal
Conduit Connection	One 7/8 in. (22 mm) hole for 1/2 in. trade size (or PG16) conduit
Paddle Material	0.006 in. (0.15 mm) stainless spring steel
Maximum Air Velocity	2,000 FPM (10.16 m/sec)
Maximum Duct Air Temperature	176°F (80°C)
Ambient Conditions	32 to 104°F (0 to 40°C)
	North America: cULus Listed; UL 60730, File E6688; FCC Compliant to CFR47, Part 15, Subpart B, Class B Industry Canada (IC) Compliant to Canadian ICES-003, Class B limits
	Europe: CE Mark – Johnson Controls, Inc. declares that this product is in compliance with the essential requirements and other relevant provisions of the EMC Directive and the Low Voltage Directive.
	Australia/New Zealand Mark: RCM Compliant

The performance specifications are nominal and conform to acceptable industry standards. For application at conditions beyond these specifications, consult Johnson Controls/PENN Refrigeration Application Engineering at 1-800-275-5676. Johnson Controls shall not be liable for damages resulting from misapplication or misuse of its products.

United States Emissions Compliance

This equipment has been tested and found to comply with the limits for a Class B digital device, pursuant to Part 15 of the FCC Rules. These limits are designed to provide reasonable protection against harmful interference in a residential installation. This equipment generates, uses and can radiate radio frequency energy and, if not installed and used in accordance with the instructions, may cause harmful interference to radio communications. However, there is no guarantee that interference will not occur in a particular installation. If this equipment does cause harmful interference to radio or television reception, which can be determined by turning the equipment off and on, the user is encouraged to try to correct the interference by one or more of the following measures:

- Reorient or relocate the receiving antenna.
- Increase the separation between the equipment and receiver.
- Connect the equipment into an outlet on a circuit different from that to which the receiver is connected.
- Consult the dealer or an experienced radio/TV technician for help.

Canadian Emissions Compliance

This Class (B) digital apparatus meets all the requirements of the Canadian Interference-Causing Equipment Regulations.
 Cet appareil numérique de la Classe (B) respecte toutes les exigences du Règlement sur le matériel brouilleur du Canada.



www.penncontrols.com

® Johnson Controls and PENN are registered trademarks of Johnson Controls in the United States of America and/or other countries. All other trademarks used herein are the property of their respective owners. © Copyright 2018 by Johnson Controls. All rights reserved.