

PRODUCT DATA

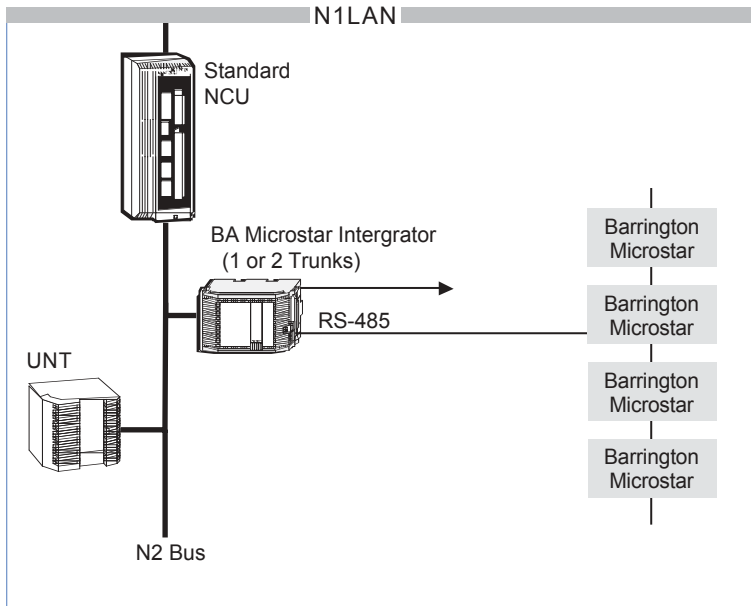
Barrington Microstar Integrator

MS-CIGBM-0

Overview

This is an interface that allows the Barrington Microstar panels to connect to the Johnson Controls Metasys System. By using the "N2 OPEN" protocol, the interface appears to the users as standard Metasys objects. It is configured with a Windows™ program provided with the interface. This allows the user to specify how the Johnson Controls system will address each parameter in the Barrington system. Once the mapping is complete, the data is accessible to the full complement of Metasys Facility Management System (FMS) features, including change-of-state (COS) monitoring, alarm notification, trend and totalization.

Interface Example



Supported Devices

The Barrington Microstar controllers are all supported by this interface.

Number of Supported Devices

The interface will handle up to 16 Microstars on each of up to two trunks.

Supported Point Count

A maximum of 640 points can be defined per interface.

Enclosure

It is housed in a Johnson Controls EN-EWC25-0 enclosure. The cabinet contains the computer with its electronics and power supplies. Dimensions are: 16" high, 14" wide and 7" deep.

Product Code

MS-CIGBM-0



For more information on Johnson Controls products and services contact your local Johnson Controls office or call (800) 765-7773.